



PROJECT		REF		REV	ITEM CODE	
LOCATION		DATE			PAGE	

SANITARY WARE SPECIFICATION SHEET

Item Descriptions	GROHE (Germany) "Minta Touch" Chrome plated deck mounted TOUCH activated sink mixer with C-spout, with pull-out dual spray, 6V lithium battery powered, automatic stops after 60 sec continuous use, with flexible hoses
Dimensions	L223 x W167 x H384 mm
Model	31358002
Finish	Chrome Plated
Country of origin	Germany
Manufacturer	GROHE Limited
Supplier	Acme Sanitary Ware Co. Ltd Mr. Eric Wong/ Mr. Don Yuen
Contact Tel/Fax	(852) 2388-7171 / (852) 2710-8012
E-mail	acme@acmesanitary.com.hk
Website	www.acmesanitary.com.hk

Illustration/ Drawing

Technical drawing dimensions:
 Total height: 384 mm
 Spout height: 189 mm
 Spout width: 223 mm
 Spout angle: 50° / 50° / 10°
 Deck diameter: Ø54
 Base diameter: Ø34
 Max. deck thickness: max. 60 mm
 Max. cartridge length: max. 300 mm
 Max. cartridge diameter: max. 650 mm
 Base diameter: 64 mm
 Base height: 161 mm
 Connection: G^{3/8}
 Spout height (alternative): 167 mm

- "Minta Touch"**
Electronic single-lever sink mixer 1/2 "
- C-spout
 - monobloc installation
 - Touch: activation of water via skin contact
 - battery supply 6 V lithium-battery, type CR-P2
 - CE approved
 - solenoid valve
 - fixed value mixing valve
 - automatically stops after 60 sec. (factory set)
 - type of protection IP 44
 - **GROHE StarLight** chrome finish
 - **GROHE SilkMove** 46 mm ceramic cartridge
 - pull-out dual spray
 - diverter: laminar spray/SpeedClean shower jet
 - swivel tubular spout
 - swivel area 360°
 - protected against backflow
 - flexible connection hoses
 - rapid installation system

* All information of the above is for the reference only. No prior notice is made if any changes.

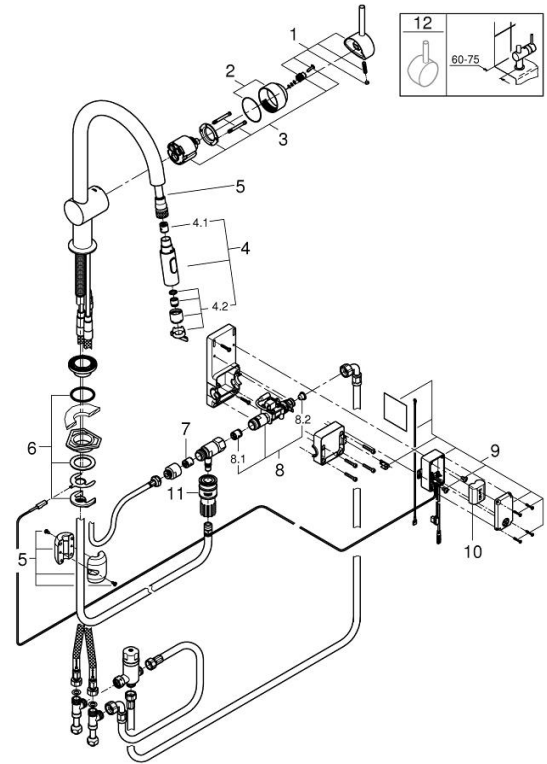
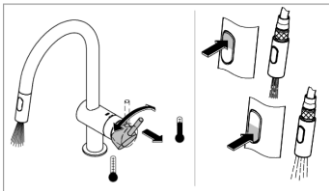


PROJECT		REF		REV	ITEM CODE	
LOCATION		DATE			PAGE	

SANITARY WARE SPECIFICATION SHEET

GROHE MINTA

A stylish, minimal kitchen doesn't mean compromising on performance. The first thing you'll notice about GROHE's Minta tap is its sleek, clean silhouette, perfect for a contemporary kitchen. But what you'll enjoy day after day is its fantastic flexibility. With a pull-out spray head with dual spray control it makes cleaning, rinsing and prepping easy, letting you get the most out of your kitchen.



SpeedClean: easy cleaning thanks to silicone nozzle

Indeed, the name says it all: with the SpeedClean technology, you'll have limescale removed from the spout in the blink of an eye thanks to a nozzle made of silicone. A quick wipe with your fingers is all it takes to remove any limescale deposits, saving you a lot of time and effort!

Pull-out comfort shower head with two different spray types

Whether washing vegetables, cleaning the basin or filling pots – the pull-out comfort shower head gives you maximum freedom of movement in the kitchen. At the push of a button, you can switch between a fine spray jet and a powerful shower jet at any time, making light work of your kitchen chores.

GROHE EasyDock – automatic retraction of the shower head into the spout

With our GROHE EasyDock system featuring the Glideflex low-friction hose and a small counterweight made of lead, the shower head retracts smoothly into the spout. Thanks to this technology, the tap is also super easy to install.



SPARE PARTS, July 2017 – now

- 1: Lever (Spare part-nr. 46015000)
- 2: Shield for cross handle (Spare part-nr. 46025000)
- 3: Cartridge (Spare part-nr. 46048000)
- 4: Hand shower (Spare part-nr. 48416000)
- 4.1: Non-return valve (Spare part-nr. 08565000)
- 4.2: Flow straightener (Spare part-nr. 48347000)
- 5: Shower hose (Spare part-nr. 48293000)
- 6: Shank mounting kit (Spare part-nr. 46345000)
- 7: Non-return valve (Spare part-nr. 08565000)
- 8: Solenoid valve (Spare part-nr. 48213000)
- 8.1: Non-return valve (Spare part-nr. 08565000)
- 8.2: Strainer (Spare part-nr. 42395000)
- 9: Control unit (Spare part-nr. 48214000)
- 10: Battery (Spare part-nr. 42886000)
- 11: Coupling piece (Spare part-nr. 46338000)
- 12: Lever (Spare part-nr. 40684000)*

* Optional accessories

Note:

* All information of the above is for the reference only. No prior notice is made if any changes.